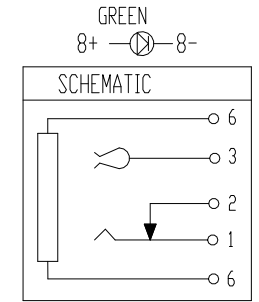
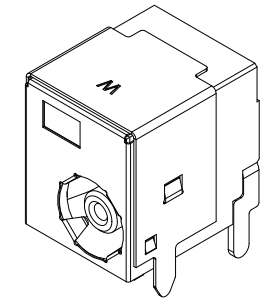
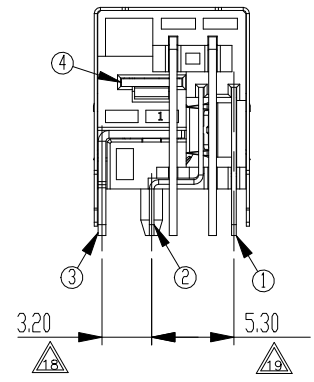
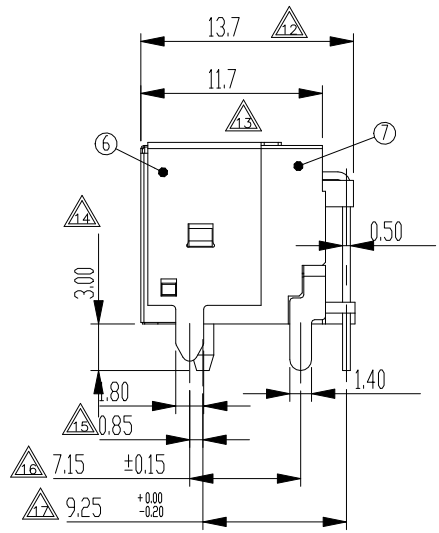
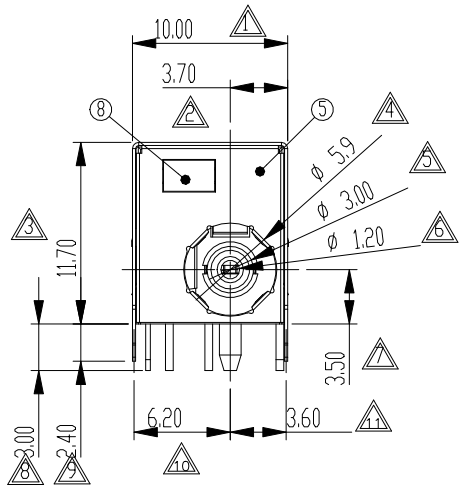


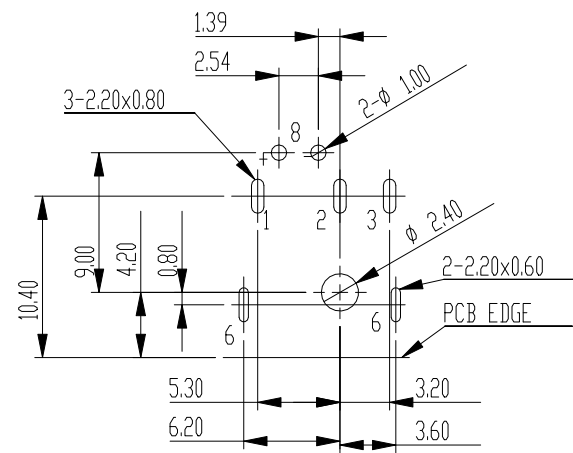
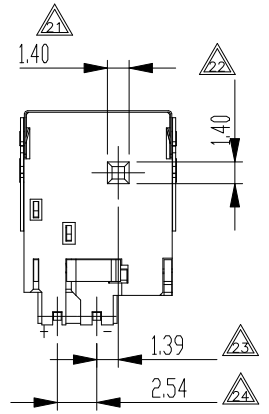


Level-1 Controlled Substances are banned



SPECIFICATION:

1. VOLTAGE RATING: 24V & 5A
2. CONTACT RESISTANCE :30 m Ω (MAX)
3. INSULATION RESISTANCE :100MΩ MIN. DC250V °C~90°C
4. OPERATION TEMPERATURE: -25 °C~90°C
5. WITHSTAND VOLTAGE:500VAC
6. INSERTION FORCE :30Kgf (MAX)
7. EXTRACTION FORCE :0.3Kgf (MIN)
8. LIFE TESTING:5000 CYCLES
9. SOLDERING FORCE:PARTS WILL WITHSTAND 260 °C/5SEC
10. EIAJ RC-53220A COMPLANT
11. ROHS 6/6 COMPLIANT
12. MARKED ARE IMPORTANT DIMENSIONS



T=1.60mm Dimensions of PC board holes
Top View Tolerance : ±0.05mm

NO.	DESCRIPTION	QTY	MATERIAL	COLOR	REMARK
8	LED	1	—	GREEN	571nm WAVELENGTH
7	HOUSING	1	PA9T	—	UL-94V0
6	SHELL 2	1	BRASS	—	Tin PLATING
5	SHELL 1	1	SUS301	—	Tin PLATING
4	TERMINAL 4	1	SUS301	—	Tin PLATING
3	TERMINAL 3	1	BRASS	—	Tin PLATING
2	TERMINAL 2	1	BRASS	—	Tin PLATING
1	TERMINAL 1	1	BRONZE	—	Tin PLATING

GENERAL TOLERANCE
UNLESS OTHERWISE NOTED



General	Angle	CUSTOMER COPY	TITLE:	DC POWER JACK
X±0.50	X°±3°			
.X±0.30	.X°±2°	PART NO.	DJ-D045	
.XX±0.20	.XX°±1°			
PROJ:	SCALE: 2:1	UNIT:mm	SIZE: A4	SHEET: 1 OF 1

ECN(DCN) NO.	REV	DATE	DESCRIPTION	CHANGE	APPRO.	DESIGN	DATE
	0	15/04/27	NEW		Jason	Max.hu	15/04/27