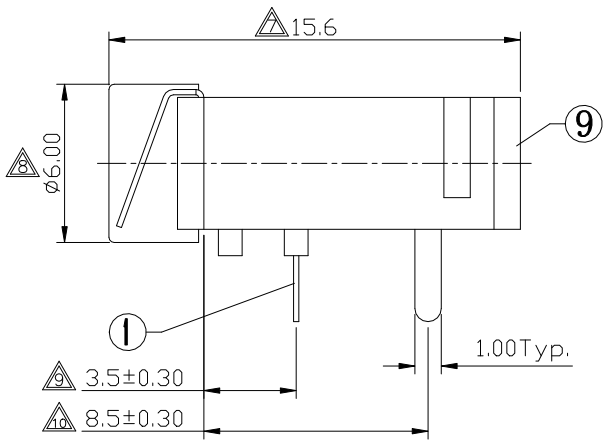
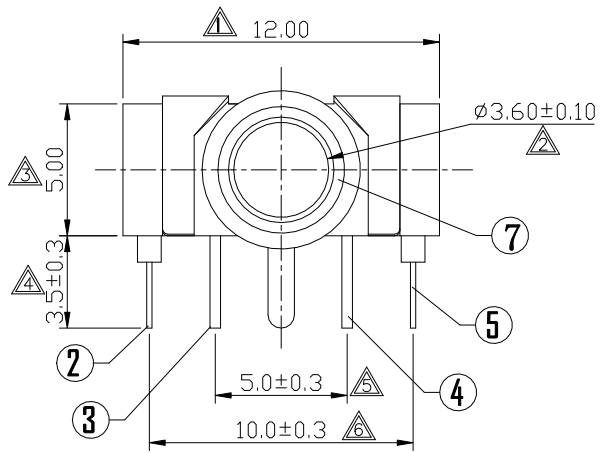
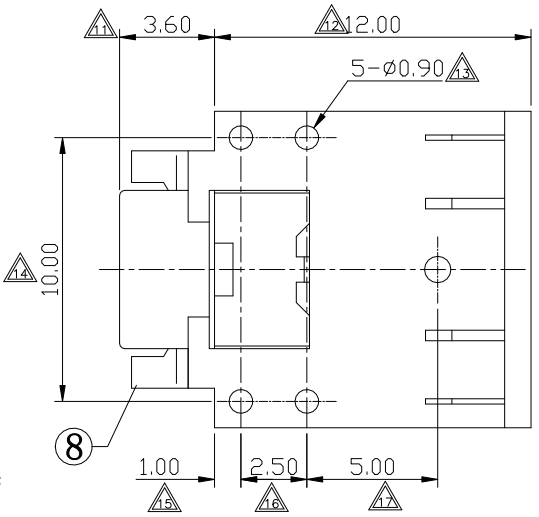
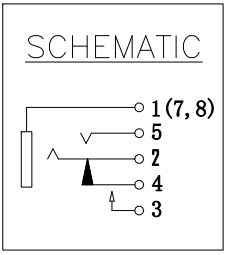
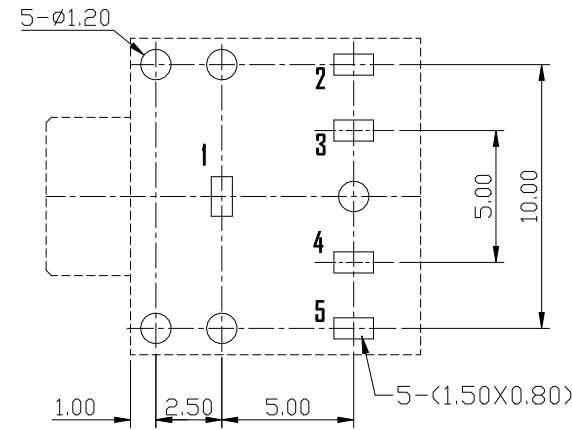




Level-I Controlled Substances are banned



P.C.B LAYOUT TOP VIEW



SPECIFICATION
 1. Rating : DC 30V 0.5A;
 2. Contact resistance: ≤0.03Ω;
 3. Insulation resistance: ≥100MΩ (DC250V);
 4. Withstand voltage: 500VAC ;
 5. Insertion and extraction force: 3-30N;
 6. life test: 5,000 cycles.
 7. Marked \triangle are important dimensions.

NO.	DESCRIPTION	QTY	MATERIAL	COLOR	REMARK
9	COVER	1	PBT	—	—
8	SPRING	1	SUS301	—	—
7	AXIS SUPPORT	1	BRASS	—	Ni-Plating
6	HOUSING	1	PBT	—	—
5	5#CONTACT FOOT	1	SUS301	—	Ag-Plating
4	4#CONTACT FOOT	1	SUS301	—	Ag-Plating
3	3#CONTACT FOOT	1	BRONZE	—	Ag-Plating
2	2#CONTACT FOOT	1	BRONZE	—	Ag-Plating
1	1#CONTACT FOOT	1	BRONZE	—	Ag-Plating



GENERAL TOLERANCE UNLESS OTHERWISE SPECIFIED		CUSTOMER COPY	TITLE: PHONE JACK
General	Angle		
X ± 0.50	X ° ± 3°	PART NO.	PJ-D3207N
X.X ± 0.30	X.X ° ± 2°		
X.XX ± 0.20	X.XX ° ± 1°		
X.XXX ± 0.10		SIZE: A4 SHEET: 1 OF 1	
PROJ:	SCALE: 4:1	UNIT:mm	

ECN(DCN) NO.	REV	DATE	DESCRIPTION	CHANGE	APPRO.	DESIGN	DATE
	0	12'/07/09	NEW	JASON	Max.hu	Jason	12'/07/09
						Jason	12'/07/09
						Max.hu	12'/07/09