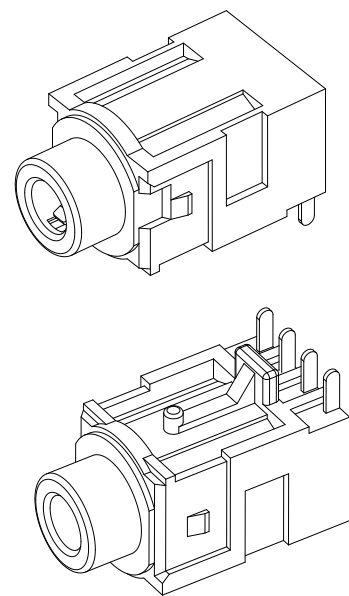
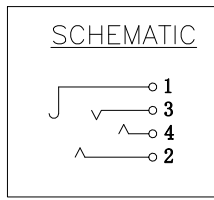


Pb RoHS
Compliant
Level-I Controlled Substances are banned



SPECIFICATION

- Rating : DC 30V 1.0A;
- Contact resistance: $\leq 0.03\Omega$;
- Insulation resistance: $\geq 100M\Omega$ (DC250V);
- Withstand voltage: 500VAC ;
- Insertion and extraction force: 3-30N;
- life test: 5,000 cycles.
- Marked \triangle are important dimensions.

NO.	DESCRIPTION	QTY	MATERIAL	COLOR	REMARK
6	COVER	1	PBT	—	—
5	HOUSING	1	PBT	—	—
4	4#CONTACT FOOT	1	BRONZE	—	Ag-Plating
3	3#CONTACT FOOT	1	BRONZE	—	Ag-Plating
2	2#CONTACT FOOT	1	BRONZE	—	Ag-Plating
1	1#CONTACT FOOT	1	BRONZE	—	Ag-Plating

GENERAL TOLERANCE UNLESS OTHERWISE SPECIFIED		MATERIAL		COLOR	REMARK
General	Angle				
X ± 0.50	X $\square \pm 3^\circ$				
X.X ± 0.30	X.X $\square \pm 2^\circ$				
X.XX ± 0.20	X.XX $\square \pm 1^\circ$				
X.XXX ± 0.10					

盛聰电子有限公司
SHENG CONG ELECTRONIC CO.,LTD

CUSTOMER COPY	TITLE:	PHONE JACK
PART NO.	PJ-D3200	
SCALE: 4:1	UNIT:mm	SHEET: 1 OF 1

ECN(DCN) NO.	REV	DATE	DESCRIPTION	CHANGE	APPRO.	DESIGN	DATE
	0	12'/07/09	NEW	JASON	Max.hu	Jason	12'/07/09
						Jason	12'/07/09
						Max.hu	12'/07/09