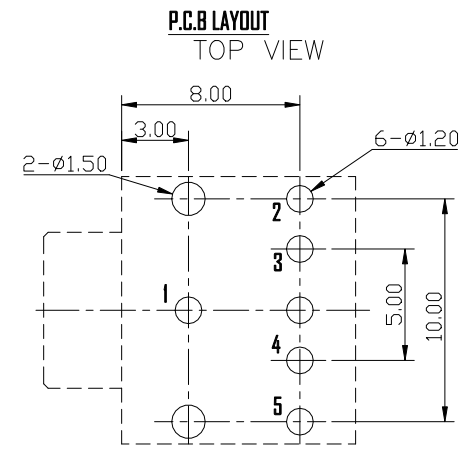
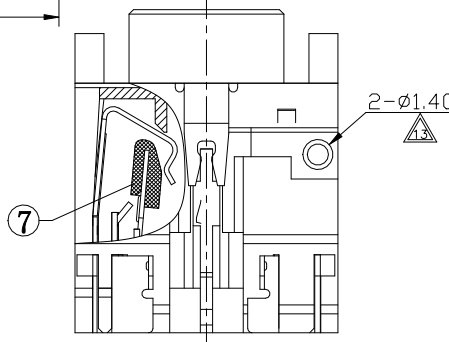
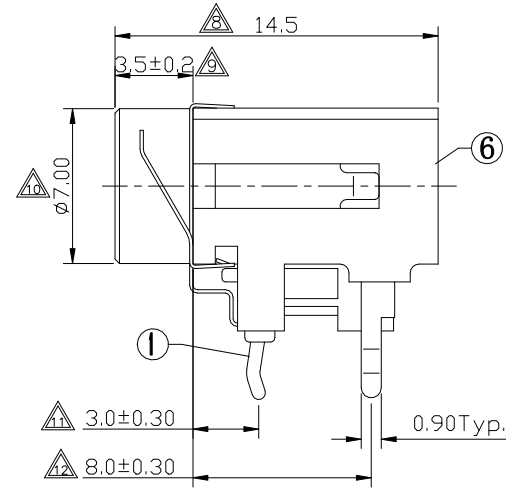
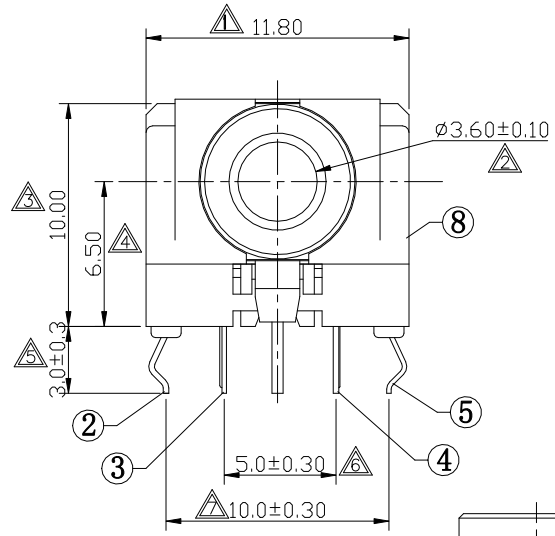
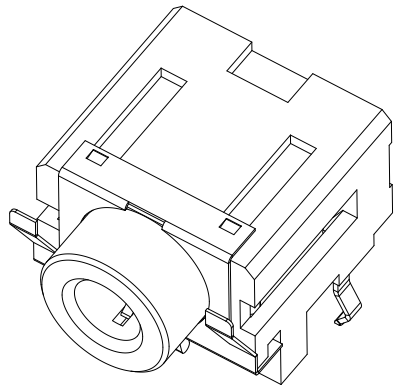
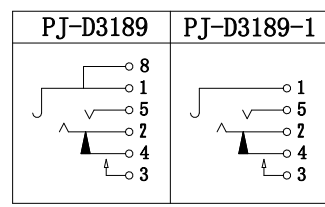


Level-I Controlled Substances are banned



SCHMATIC



**SPECIFICATION**  
 1.Rating : DC 30V 0.5A;  
 2.Contact resistance: ≤0.03Ω;  
 3.Insulation resistance: ≥100MΩ (DC250V);  
 4.Withstand voltage: 500VAC ;  
 5.Insertion and extraction force: 3-30N;  
 6.life test: 5,000 cycles.  
 7.Marked ▲ are important dimensions.

8	SPRING SUPPORT	1	SUS301	—	—
7	INSULATOR	1	PBT	—	—
6	HOUSING	1	PBT	—	—
5	SPRING PIECE	1	SUS301	—	Ag-Plating
4	CONTACT FOOT	1	SUS301	—	Ag-Plating
3	CONTACT FOOT	1	BRASS	—	Ag-Plating
2	SPRING PIECE	1	SUS301	—	Ag-Plating
1	CONTACT FOOT	1	BRONZE	—	Ag-Plating
NO.	DESCRIPTION	QTY	MATERIAL	COLOR	REMARK

GENERAL TOLERANCE UNLESS OTHERWISE SPECIFIED		<b>盛聰电子有限公司</b> SHENG CONG ELECTRONIC CO.,LTD	
General	Angle	CUSTOMER COPY	TITLE: PHONE JACK
X ± 0.50	X ° ± 3°		
X.X ± 0.30	X.X ° ± 2°	PART NO.	PJ-D3189
X.XX ± 0.20	X.XX ° ± 1°		
X.XXX ± 0.10			
PROJ:	SCALE: 4:1	UNIT:mm	SHEET: 1 OF 1

						DESIGN	Jason	12'/07/09
						CHECK	Jason	12'/07/09
	0	12'/07/09	NEW	JASON	Max.hu	APPRO.	Max.hu	12'/07/09
ECN(OCN) NO.	REV	DATE	DESCRIPTION	CHANGE	APPRO.			