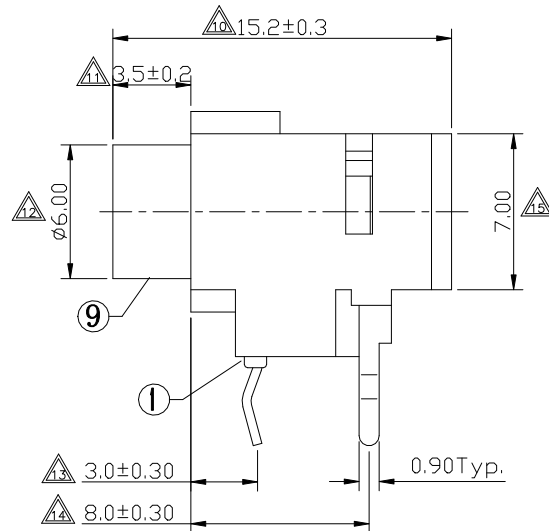
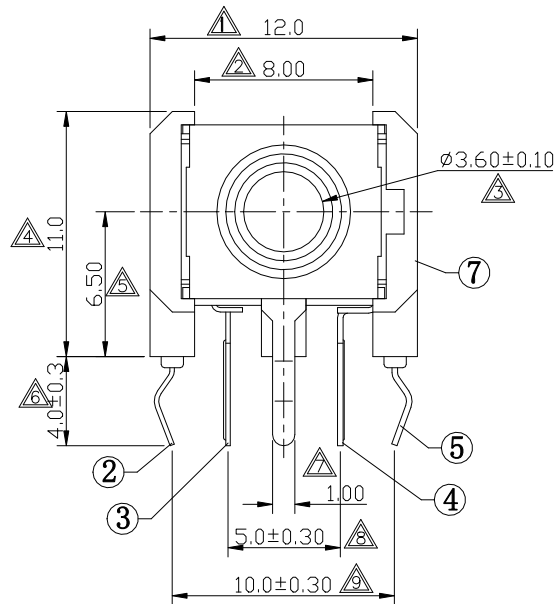
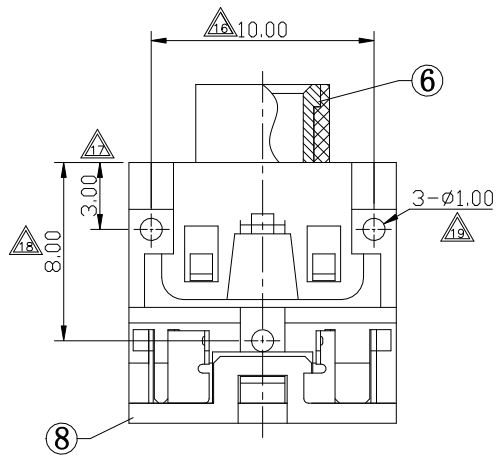
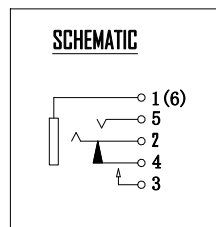
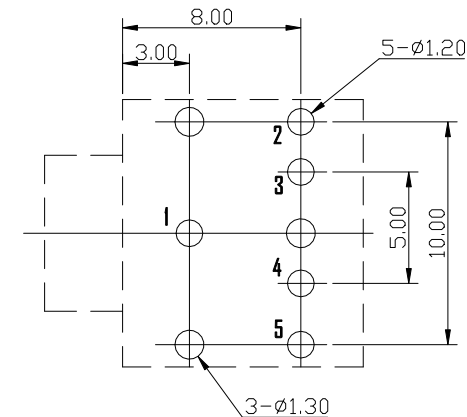




Level-I Controlled Substances are banned



P.C.B LAYOUT  
TOP VIEW



**SPECIFICATION**  
 1.Rating : DC 30V 0.5A;  
 2.Contact resistance: ≤0.03Ω;  
 3.Insulation resistance: ≥100MΩ (DC250V);  
 4.Withstand voltage: 500VAC ;  
 5.Insertion and extraction force: 3-30N;  
 6.life test: 5,000 cycles.  
 7.Marked  $\Delta$  are important dimensions.

NO.	DESCRIPTION	QTY	MATERIAL	COLOR	REMARK
9	AXIS SUPPORT	1	PBT	—	—
8	COVER	1	PBT	—	—
7	HOUSING	1	PBT	—	—
6	AXIS SUPPORT	1	BRASS	—	Ni-Plating
5	SPRING PIECE	1	BRONZE	—	Ag-Plating
4	CONTACT FOOT	1	SUS301	—	Ag-Plating
3	CONTACT FOOT	1	BRASS	—	Ag-Plating
2	SPRING PIECE	1	SUS301	—	Ag-Plating
1	CONTACT FOOT	1	BRASS	—	Ag-Plating

GENERAL TOLERANCE UNLESS OTHERWISE SPECIFIED		MATERIAL		COLOR	REMARK
General	Angle				
X ± 0.50	X ° ± 3°				
X.X ± 0.30	X.X ° ± 2°				
X.XX ± 0.20	X.XX ° ± 1°				
X.XXX ± 0.10					
PROJ:	SCALE: 4:1	UNIT:mm	SIZE: A4	SHEET: 1 OF 1	

**盛聰电子有限公司**  
SHENG CONG ELECTRONIC CO.,LTD

CUSTOMER COPY TITLE: PHONE JACK

PART NO. PJ-D3187A

ECN(DCN) NO.	REV	DATE	DESCRIPTION	CHANGE	APPRO.	DESIGN	DATE
	0	12'/07/09	NEW	JASON	Max.hu	Jason	12'/07/09
						Jason	12'/07/09
						Max.hu	12'/07/09