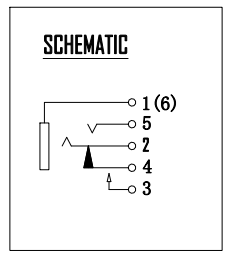
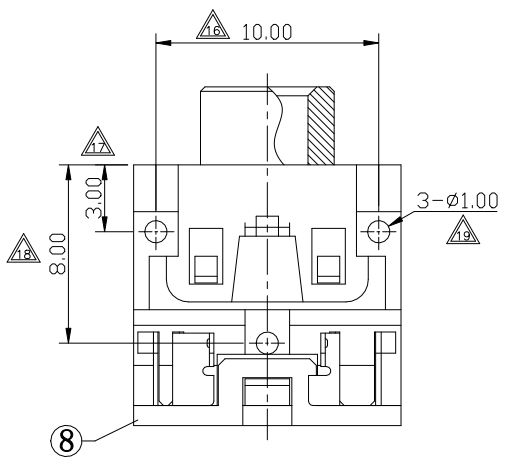
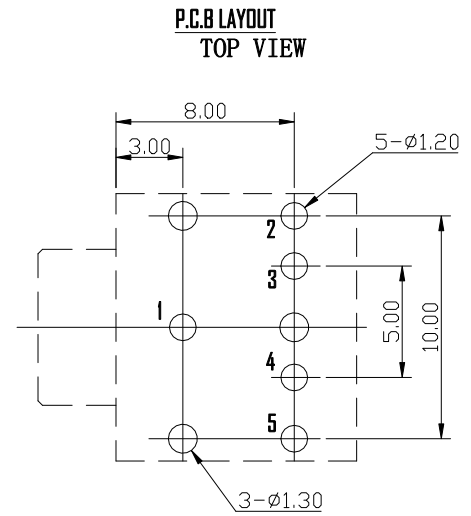
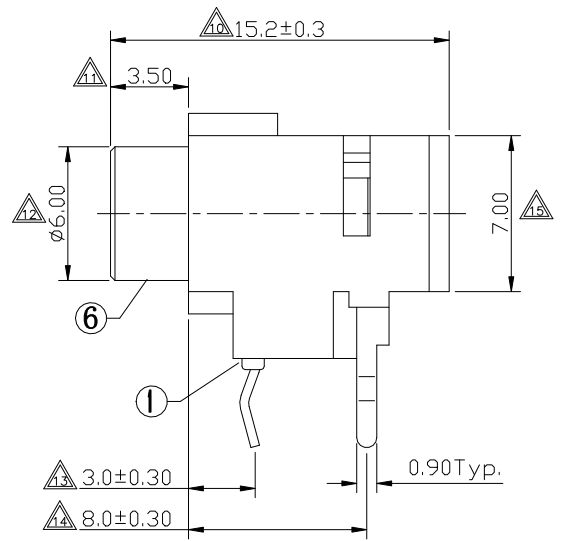
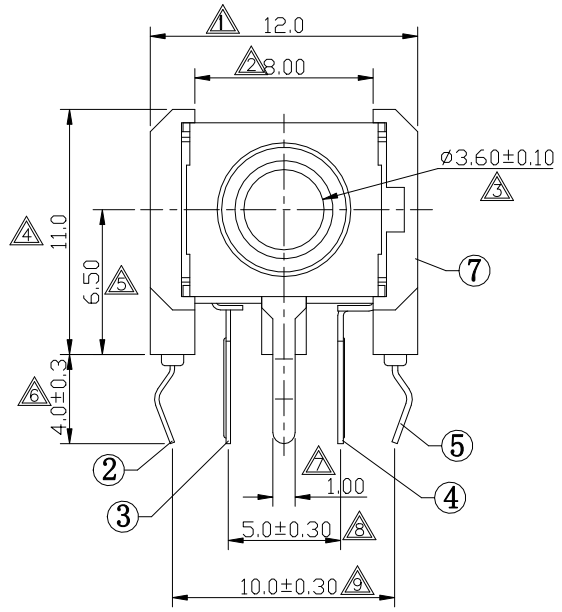


Level-I Controlled Substances are banned



SPECIFICATION
 1.Rating : DC 30V 0.5A;
 2.Contact resistance: ≤0.03Ω;
 3.Insulation resistance: ≥100MΩ (DC250V);
 4.Withstand voltage: 500VAC ;
 5.Insertion and extraction force: 3-30N;
 6.life test: 5,000 cycles.
 7.Marked ▲ are important dimensions.

| NO. | DESCRIPTION | QTY | MATERIAL | COLOR | REMARK |
|-----|--------------|-----|----------|-------|------------|
| 8 | COVER | 1 | PBT | — | — |
| 7 | HOUSING | 1 | PBT | — | — |
| 6 | AXIS SUPPORT | 1 | BRASS | — | Ni-Plating |
| 5 | SPRING PIECE | 1 | BRONZE | — | Ag-Plating |
| 4 | CONTACT FOOT | 1 | SUS301 | — | Ag-Plating |
| 3 | CONTACT FOOT | 1 | BRASS | — | Ag-Plating |
| 2 | SPRING PIECE | 1 | SUS301 | — | Ag-Plating |
| 1 | CONTACT FOOT | 1 | IRON | — | Ag-Plating |

| | | | | |
|---|------------|---|----------|---------------|
| GENERAL TOLERANCE UNLESS OTHERWISE SPECIFIED | | 盛聰电子有限公司 SHENG CONG ELECTRONIC CO.,LTD | | |
| General | Angle | | | |
| X ± 0.50 | X °± 3° | CUSTOMER COPY | TITLE: | PHONE JACK |
| X.X ± 0.30 | X.X °± 2° | | PART NO. | PJ-D3187 |
| X.XX ± 0.20 | X.XX °± 1° | | | |
| X.XXX ± 0.10 | | | | |
| PROJ: | SCALE: 4:1 | UNIT:mm | SIZE: A4 | SHEET: 1 OF 1 |

| ECN(OCN) NO. | REV | DATE | DESCRIPTION | CHANGE | APPRO. | DESIGN | Jason | 12'/07/09 |
|--------------|-----|-----------|-------------|--------|--------|--------|--------|-----------|
| | 0 | 12'/07/09 | NEW | JASON | Max.hu | CHECK | Jason | 12'/07/09 |
| | | | | | | APPRO. | Max.hu | 12'/07/09 |