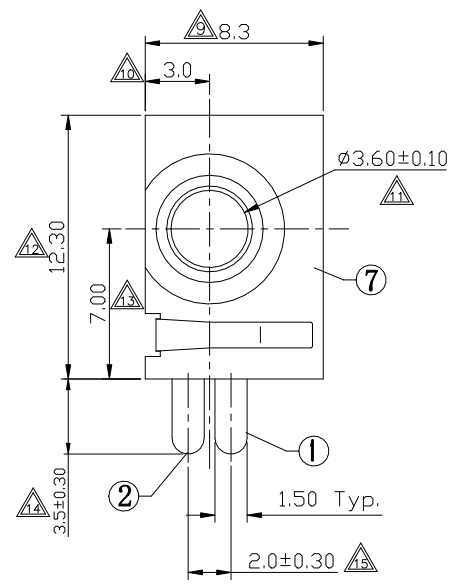
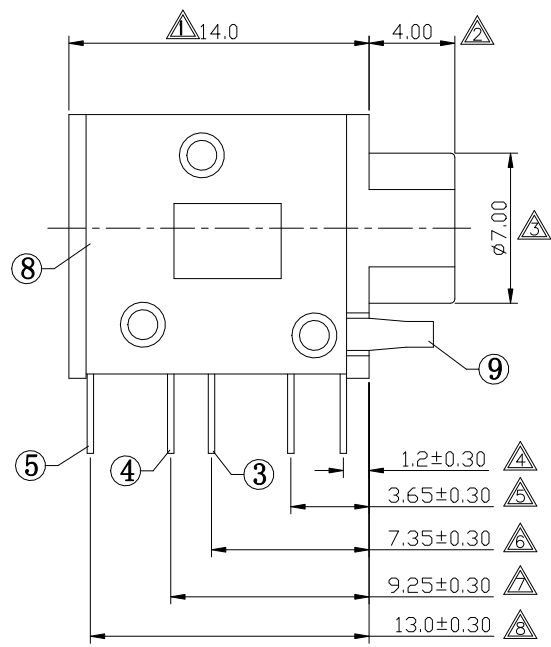
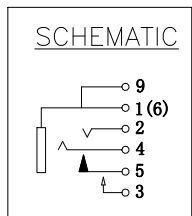
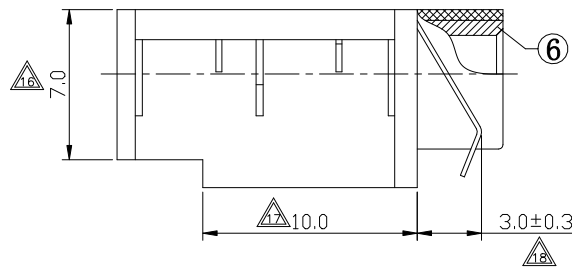
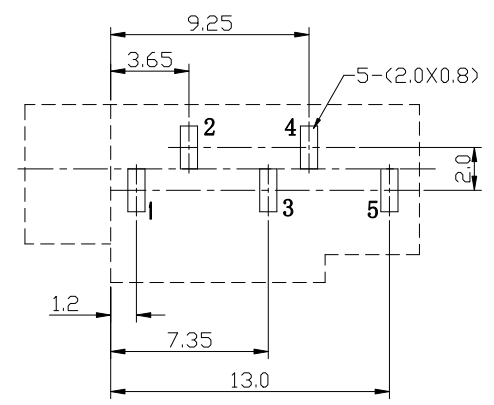




Level-I Controlled Substances are banned



P.C.B LAYOUT
TOP VIEW



SPECIFICATION
 1.Rating : DC 30V 0.5A;
 2.Contact resistance: ≤0.03Ω;
 3.Insulation resistance: ≥100MΩ (DC250V);
 4.Withstand voltage: 500VAC ;
 5.Insertion and extraction force: 3-30N;
 6.life test: 5,000 cycles.
 7.Marked \triangle are important dimensions.

NO.	DESCRIPTION	QTY	MATERIAL	COLOR	REMARK
9	SPRING	1	SUS301	—	—
8	COVER	1	PA9T	—	—
7	HOUSING	1	PA9T	—	—
6	AXIS SUPPORT	1	BRASS	—	Ni-Plating
5	5#CONTACT FOOT	1	SUS301	—	Sn-Plating
4	4#CONTACT FOOT	1	BRONZE	—	Sn-Plating
3	3#CONTACT FOOT	1	BRASS	—	Sn-Plating
2	2#CONTACT FOOT	1	BRONZE	—	Sn-Plating
1	1#CONTACT FOOT	1	BRASS	—	Sn-Plating

GENERAL TOLERANCE UNLESS OTHERWISE SPECIFIED		MATERIAL		COLOR	REMARK
General	Angle				
X ± 0.50	X °± 3°				
X.X ± 0.30	X.X °± 2°				
X.XX ± 0.20	X.XX °± 1°				
X.XXX ± 0.10					
PROJ:	SCALE: 4:1	UNIT:mm	SIZE: A4	SHEET: 1 OF 1	

盛聰电子有限公司
SHENG CONG ELECTRONIC CO.,LTD

CUSTOMER COPY TITLE: PHONE JACK

PART NO. PJ-D3126

ECN(DCN) NO.	REV	DATE	DESCRIPTION	CHANGE	APPRO.
	0	12'/07/09	NEW	JASON	Max.hu