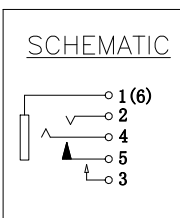
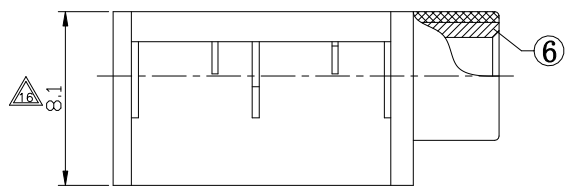
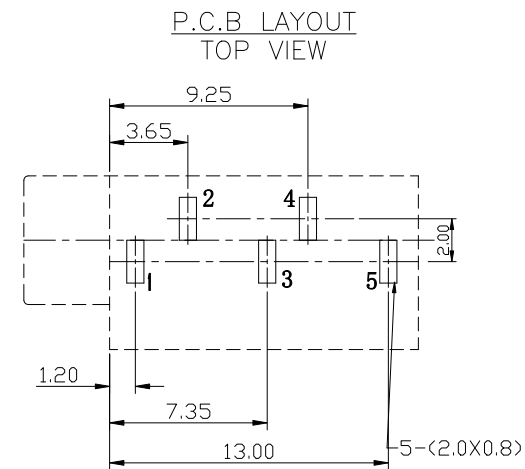
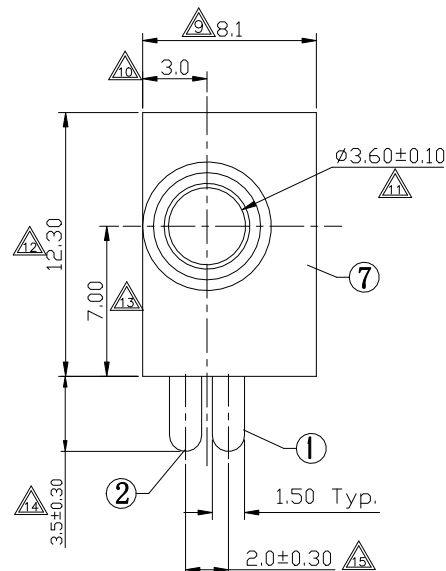
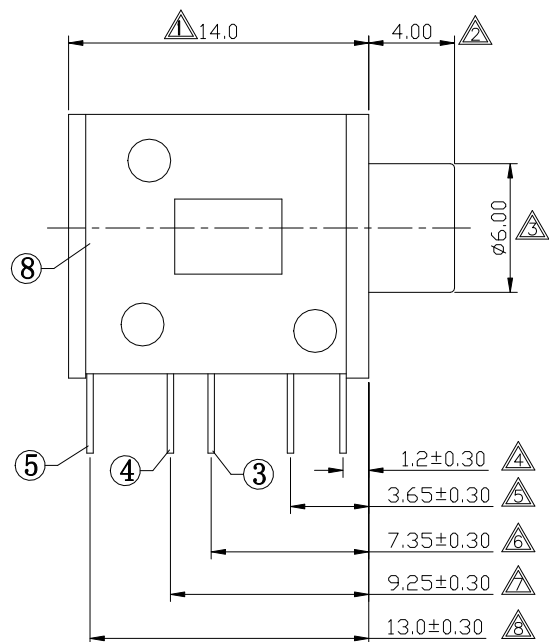




Level-I Controlled Substances are banned



**SPECIFICATION**  
 1.Rating : DC 30V 0.5A;  
 2.Contact resistance: ≤0.03Ω;  
 3.Insulation resistance: ≥100MΩ (DC250V);  
 4.Withstand voltage: 500VAC ;  
 5.Insertion and extraction force: 3-30N;  
 6.life test: 5,000 cycles.  
 7.Marked  $\Delta$  are important dimensions.

8	COVER	1	PBT		
7	HOUSING	1	PBT		
6	AXIS SUPPORT	1	BRASS		Ni-Plating
5	5#CONTACT FOOT	1	SUS301		Sn-Plating
4	4#CONTACT FOOT	1	BRONZE		Sn-Plating
3	3#CONTACT FOOT	1	BRASS		Sn-Plating
2	2#CONTACT FOOT	1	BRONZE		Sn-Plating
1	1#CONTACT FOOT	1	BRASS		Sn-Plating
NO.	DESCRIPTION	QTY	MATERIAL	COLOR	REMARK

<b>GENERAL TOLERANCE</b> UNLESS OTHERWISE SPECIFIED		盛聰电子有限公司 SHENG CONG ELECTRONIC CO.,LTD		
General	Angle			
X ± 0.50	X °± 3°	CUSTOMER COPY	TITLE: PHONE JACK	
X.X ± 0.30	X.X °± 2°			
X.XX ± 0.20	X.XX °± 1°	PART NO.	PJ-D3125C	
X.XXX ± 0.10				
PROJ:	SCALE: 4:1	UNIT:mm	SIZE: A4	SHEET: 1 OF 1

						DESIGN	Jason	12'/07/09	
						CHECK	Jason	12'/07/09	
	0	12'/07/09	NEW	JASON	Max.hu	APPRO.	Max.hu	12'/07/09	
ECN(DCN) NO.	REV	DATE	DESCRIPTION	CHANGE	APPRO.				