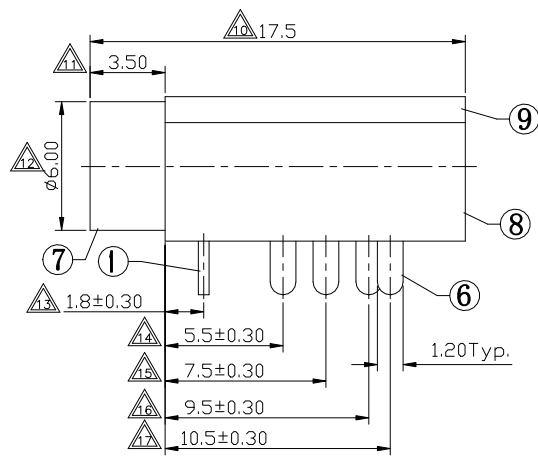
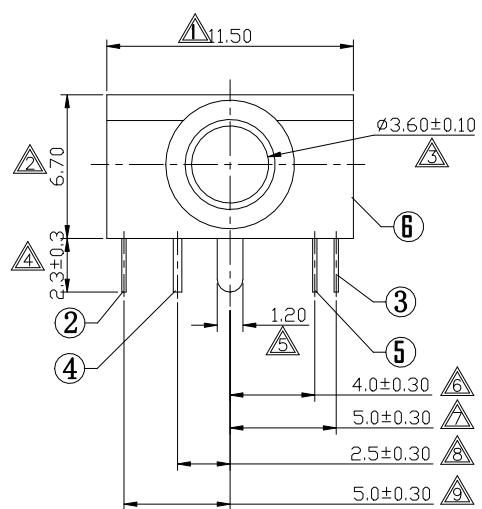
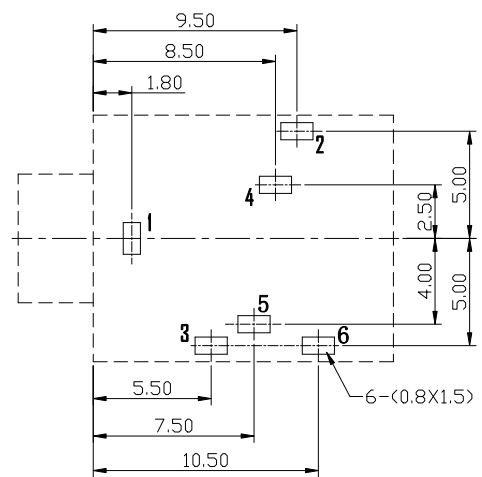




Level-I Controlled Substances are banned

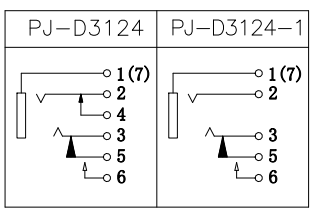


P.C.B LAYOUT TOP VIEW



SPECIFICATION
 1.Rating : DC 30V 0.5A;
 2.Contact resistance: $\leq 0.03\Omega$;
 3.Insulation resistance: $\geq 100M\Omega$ (DC250V);
 4.Withstand voltage: 500VAC ;
 5.Insertion and extraction force: 3-30N;
 6.life test: 5,000 cycles.
 7.Marked \triangle are important dimensions.

SCHEMATIC



9	COVER	1	PC	—	—
8	HOUSING	1	PBT	—	—
7	AXIS SUPPORT	1	BRASS	—	Ni-Plating
6	6#CONTACT FOOT	1	BRASS	—	Sn-Plating
5	5#CONTACT FOOT	1	BRONZE	—	Sn-Plating
4	4#CONTACT FOOT	1	BRONZE	—	Sn-Plating
3	3#CONTACT FOOT	1	BRONZE	—	Sn-Plating
2	2#CONTACT FOOT	1	BRONZE	—	Sn-Plating
1	1#CONTACT FOOT	1	BRASS	—	Sn-Plating
NO.	DESCRIPTION	QTY	MATERIAL	COLOR	REMARK

GENERAL TOLERANCE UNLESS OTHERWISE SPECIFIED		盛聰电子有限公司 SHENG CONG ELECTRONIC CO.,LTD		
General	Angle			
X ± 0.50	X ° ± 3°	CUSTOMER COPY	TITLE: PHONE JACK	
X.X ± 0.30	X.X ° ± 2°			
X.XX ± 0.20	X.XX ° ± 1°	PART NO.	PJ-D3124	
X.XXX ± 0.10				
PROJ:	SCALE: 4:1	UNIT:mm	SIZE: A4	SHEET: 1 OF 1

						DESIGN	Jason	12'/07/09	
						CHECK	Jason	12'/07/09	
	0	12'/07/09	NEW	JASON	Max.hu	APPRO.	Max.hu	12'/07/09	
ECN(OCN) NO.	REV	DATE	DESCRIPTION	CHANGE	APPRO.				