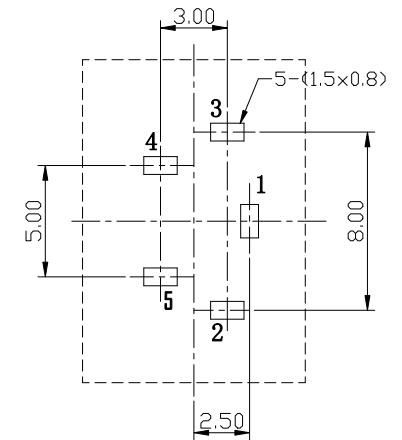


Level-1 Controlled Substances are banned

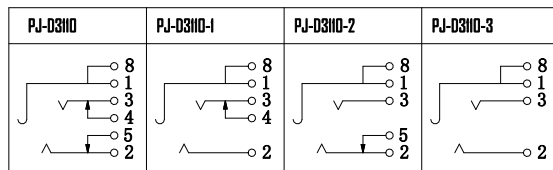
P.C.B LAYOUT
TOP VIEW



SPECIFICATION

- Rating : DC 30V 0.5A;
- Contact resistance: $\leq 0.03\Omega$;
- Insulation resistance: $\geq 100M\Omega$ (DC250V);
- Withstand voltage: 500VAC ;
- Insertion and extraction force: 3-30N;
- life test: 5,000 cycles.
- Marked \triangle are important dimensions.

SCHMATIC



8	COAT	1	SUS301	—	—
7	COVER	1	PBT	—	—
6	HOUSING	1	PBT	—	—
5	5# CONTACT FOOT	1	BRONZE	—	Sn-Plating
4	4# CONTACT FOOT	1	BRASS	—	Sn-Plating
3	3# CONTACT FOOT	1	BRONZE	—	Sn-Plating
2	2# CONTACT FOOT	1	BRONZE	—	Sn-Plating
1	1# CONTACT FOOT	1	BRONZE	—	Sn-Plating
NO.	DESCRIPTION	QTY	MATERIAL	COLOR	REMARK

GENERAL TOLERANCE UNLESS OTHERWISE SPECIFIED		 盛聰电子有限公司 SHENG CONG ELECTRONIC CO.,LTD		
General	Angle			
X ± 0.50	X ° ± 3°	CUSTOMER COPY	TITLE:	PHONE JACK
X.X ± 0.30	X.X ° ± 2°		PART NO.	PJ-D3110
X.XX ± 0.20	X.XX ° ± 1°	SCALE: 4:1		UNIT:mm
X.XXX ± 0.10		PROJECT:	SIZE: A4	

					DESIGN	Jason	12'/05/07
					CHECK	Jason	12'/05/07
	0	12'/05/07	NEW	JASON	Max.hu		
ECN(OCN) NO.	REV	DATE	DESCRIPTION	CHANGE	APPRO.		
					APPRO.	Max.hu	12'/05/07