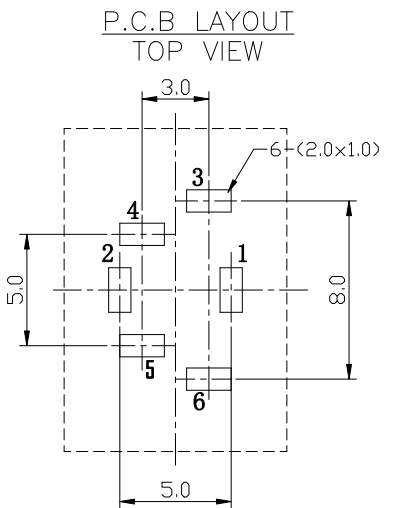
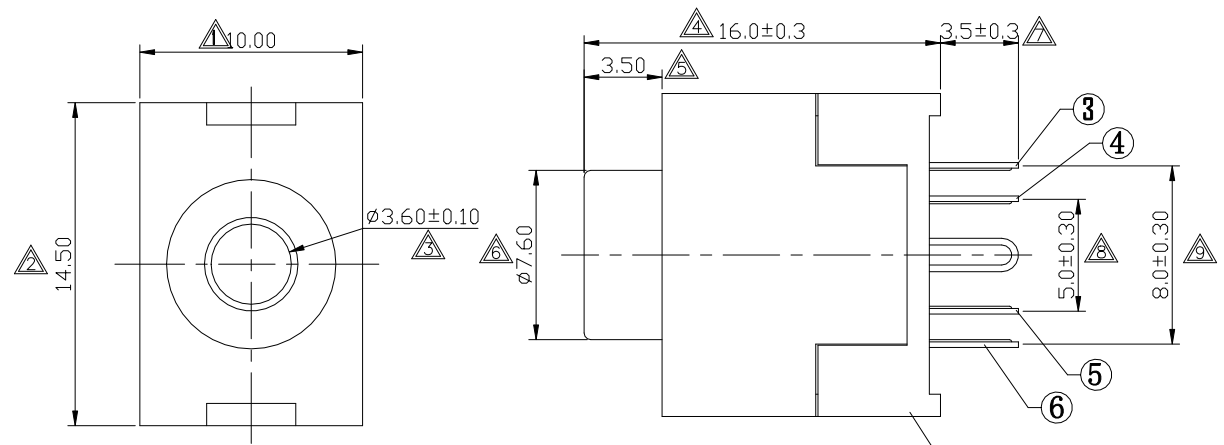
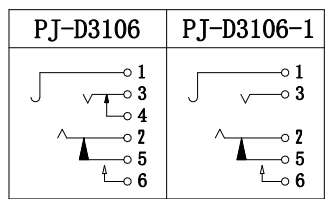
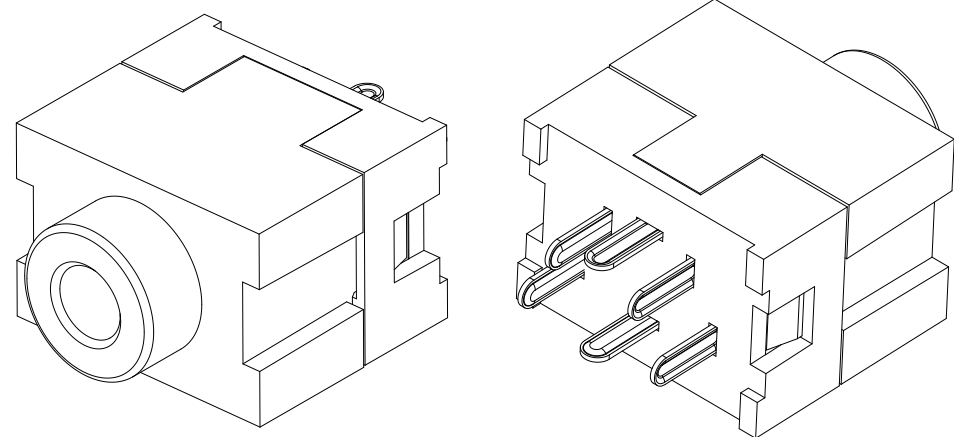
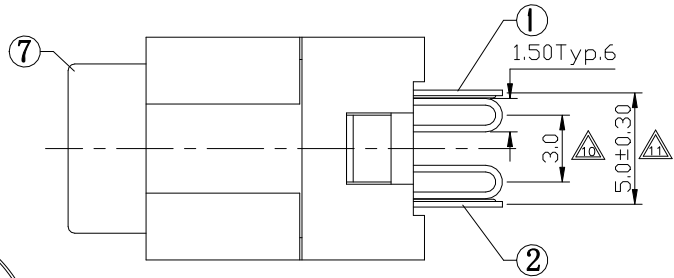


Level-I Controlled Substances are banned

SCHEMATIC



- SPECIFICATION**
1. Rating : DC 30V 0.5A;
 2. Contact resistance: $\leq 0.03\Omega$;
 3. Insulation resistance: $\geq 100M\Omega$ (DC250V);
 4. Withstand voltage: 500VAC ;
 5. Insertion and extraction force: 3-30N;
 6. life test: 5,000 cycles.
 7. Marked \triangle are important dimensions.



6	COVER	1	PBT		
6	HOUSING	1	PBT		
6	6# CONTACT FOOT	1	BRONZE		Ag-Plating
5	5# CONTACT FOOT	1	BRONZE		Ag-Plating
4	4# CONTACT FOOT	1	BRASS		Ag-Plating
3	3# CONTACT FOOT	1	BRONZE		Ag-Plating
2	2# CONTACT FOOT	1	BRONZE		Ag-Plating
1	1# CONTACT FOOT	1	BRONZE		Ag-Plating
NO.	DESCRIPTION	QTY	MATERIAL	COLOR	REMARK

GENERAL TOLERANCE UNLESS OTHERWISE SPECIFIED		盛聰电子有限公司 SHENG CONG ELECTRONIC CO.,LTD		
General	Angle			
X ± 0.50	X °± 3°	CUSTOMER COPY	TITLE: PHONE JACK	
X.X ± 0.30	X.X °± 2°			
X.XX ± 0.20	X.XX °± 1°	PART NO.	PJ-D3106	
X.XXX ± 0.10				
PROJ:	SCALE: 4:1	UNIT:mm	SIZE: A4	SHEET: 1 OF 1

					DESIGN	Jason	12'/05/07
					CHECK	Jason	12'/05/07
	0	12'/05/07	NEW	JASON	Max.hu		
ECN(OCN) NO.	REV	DATE	DESCRIPTION	CHANGE	APPRO.		
					APPRO.	Max.hu	12'/05/07