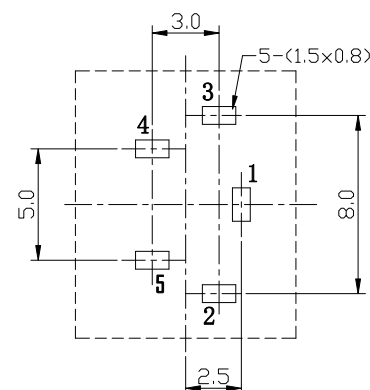


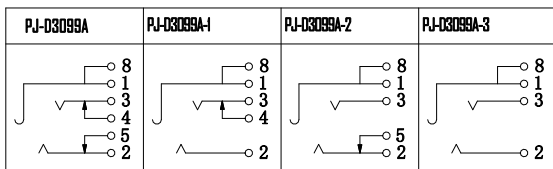
Level-I Controlled Substances are banned

P.C.B LAYOUT  
TOP VIEW



**SPECIFICATION**  
 1.Rating : DC 30V 0.5A;  
 2.Contact resistance: ≤0.03Ω;  
 3.Insulation resistance: ≥100MΩ (DC250V);  
 4.Withstand voltage: 500VAC ;  
 5.Insertion and extraction force: 3-30N;  
 6.life test: 5,000 cycles.  
 7.Marked  $\Delta$  are important dimensions.

**SCHMATIC**



8	COAT	1	SUS301		
7	COVER	1	PA66		
6	HOUSING	1	PBT		
5	5# CONTACT FOOT	1	BRASS		Sn-Plating
4	4# CONTACT FOOT	1	BRASS		Sn-Plating
3	3# CONTACT FOOT	1	PHOSPHOR BRONZE		Sn-Plating
2	2# CONTACT FOOT	1	PHOSPHOR BRONZE		Sn-Plating
1	1# CONTACT FOOT	1	PHOSPHOR BRONZE		Sn-Plating

NO.	DESCRIPTION	QTY	MATERIAL	COLOR	REMARK											
GENERAL TOLERANCE UNLESS OTHERWISE SPECIFIED																
		<table border="1"> <tr> <th>General</th> <th>Angle</th> </tr> <tr> <td>X ± 0.50</td> <td>X °± 3°</td> </tr> <tr> <td>X.X ± 0.30</td> <td>X.X °± 2°</td> </tr> <tr> <td>X.XX ± 0.20</td> <td>X.XX °± 1°</td> </tr> <tr> <td>X.XXX ± 0.10</td> <td></td> </tr> </table>		General	Angle	X ± 0.50	X °± 3°	X.X ± 0.30	X.X °± 2°	X.XX ± 0.20	X.XX °± 1°	X.XXX ± 0.10				
General	Angle															
X ± 0.50	X °± 3°															
X.X ± 0.30	X.X °± 2°															
X.XX ± 0.20	X.XX °± 1°															
X.XXX ± 0.10																
			盛聰电子有限公司 SHENG CONG ELECTRONIC CO.,LTD													
			CUSTOMER COPY		TITLE: PHONE JACK											
			PART NO.		PJ-D3099A											
PROJ:			SCALE: 4:1	UNIT:mm	SIZE: A4 SHEET: 1 OF 1											

						DESIGN	Jason	12'/05/07	
						CHECK	Jason	12'/05/07	
	0	12'/05/07	NEW	JASON	Max.hu	APPRO.	Max.hu	12'/05/07	
ECN(DCN) NO.	REV	DATE	DESCRIPTION	CHANGE	APPRO.				