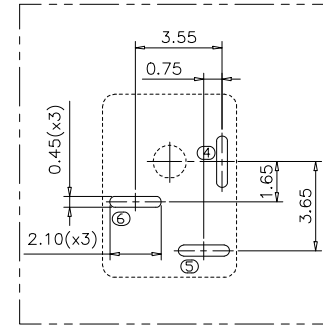
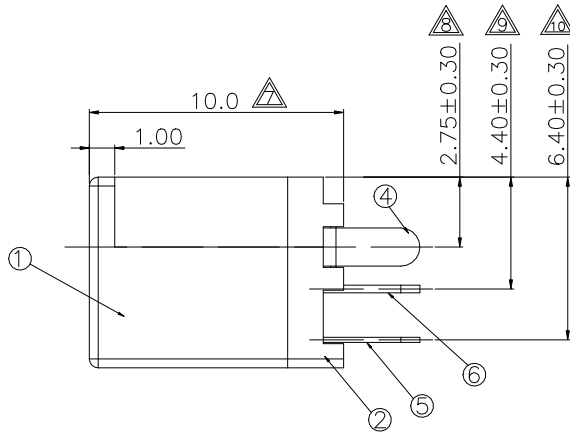
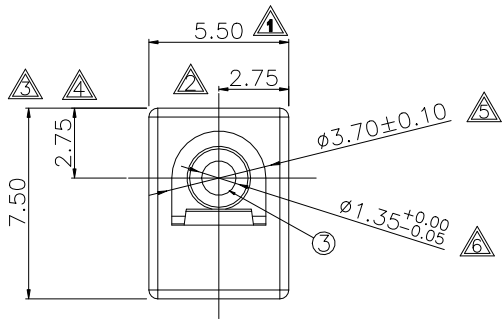
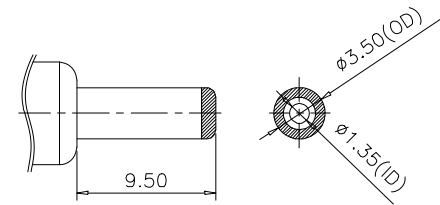




Level-1 Controlled Substances are banned



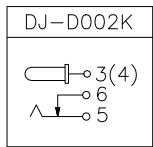
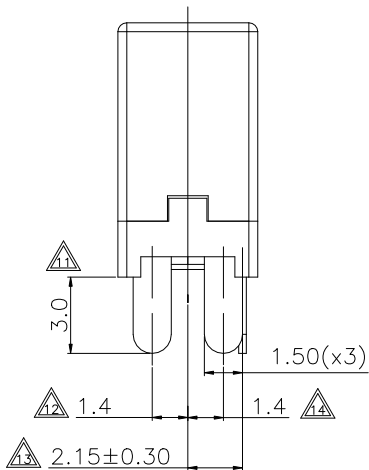
COMMENDED PCB LAYOUT(TOP VIEW)
ALL TOLERANCE ± 0.03 mm



DC MATE PLUG

SPECIFICATION

- RATING: 1A DC 30V ;
- CONTACT RESISTANCE: Max 30m Ω ;
- INSULATION RESISTANCE: Min 100M Ω DC 500V;
- WITHSTANDING VOLTAGE: AC 500V (50Hz)AT 0.5A FOR 1 MINUTE;
- LIFE TEST: ≥ 5000 CYCLES;
- EXTRACTION FORCE: Min 0.3Kg;
- INSERTION FORCE:Max 3Kg;
- WORK TEMPERATURE: -30° 度 $\sim 70^{\circ}$ 度 ;
- APPEARANCE IS GOOD FINISHED,NOT EXIST RUST,FLAW CRACK AND BAD PLATING;
- SOLDERING CAN MEET 230° 度 $\pm 5^{\circ}$ 度,3-5 SECOND.
- Marked \triangle are important dimensions.



NO.	DESCRIPTION	QTY	MATERIAL	COLOR	REMARK
6	SHUNT TERMINAL	1	BRASS T=0.3	—	SILVER Plating
5	TIP SPRING	1	STAINLESS STEEL T=0.2	—	SILVER Plating
4	CENTER PIN TERMINAL	1	BRASS T=0.3	—	SILVER Plating
3	CENTER PIN	1	BRASS	—	CuSn/Nickel Plating
2	COVER	1	PA66	BLACK	—
1	HOUSING	1	PA66	BLACK	—

NO.	DESCRIPTION	QTY	MATERIAL	COLOR	REMARK
GENERAL TOLERANCE UNLESS OTHERWISE SPECIFIED					
General		Angle		盛聰电子有限公司 SHENG CONG ELECTRONIC CO.,LTD CUSTOMER COPY TITLE: DC JACK PART NO. DJ-D002K	
X ± 0.50		X $^{\circ} \pm 3^{\circ}$			
XX ± 0.30		XX $^{\circ} \pm 2^{\circ}$			
XXX ± 0.20		XXX $^{\circ} \pm 1^{\circ}$			
XXX ± 0.10					
PROJ:		SCALE: 1:1		UNIT: mm	
		SIZE: A4		SHEET: 1 OF 1	

ECN(DCN) NOREV	DATE	DESCRIPTION	CHANGE	APPRO.	APPRO.	DATE
	0	13'/07/17	NEW	Jason	Max.hu	13'/07/17

Original: Design: Jason Check: Jason Appro: Max Date: 13'/07/17